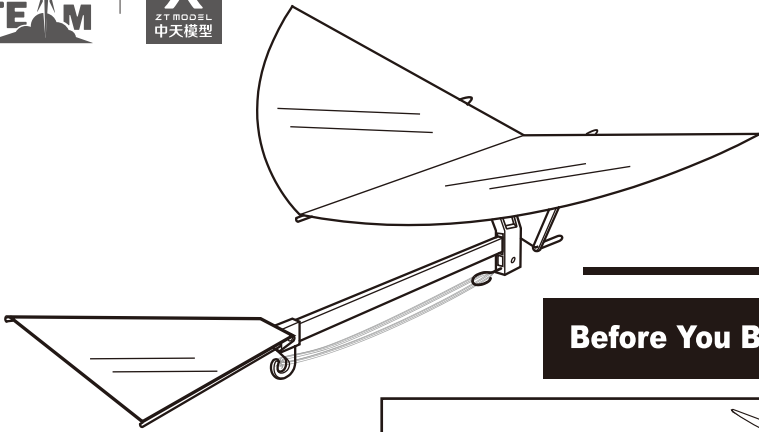


## Assembly Instruction



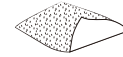
### Before You Begin

- Please firstly confirm the parts as below
- Do follow the assembly steps
- Pay attention to small metal parts

Tools Recommended  
(To make a perfect model)



scissor (or cutter)



sanding paper



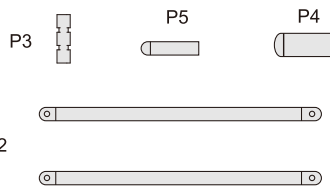
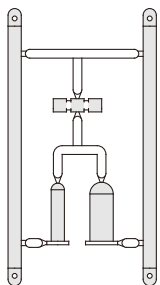
a little bit wet towel

### Parts List

<p>1 Wood Stick (fuselage)</p>	<p>5 Small Parts</p>
<p>2 Double sided tape</p>	
<p>3 Wing and tail sheets</p>	
<p>4</p> <p>Bamboo stick ② (175mm) X2</p> <p>Bamboo stick ③ (150mm) X1</p>	<p>bamboo arm sets ① (235mm) X2</p> <p>Rubberband</p>

### 1 Take The Small Parts

small parts unit

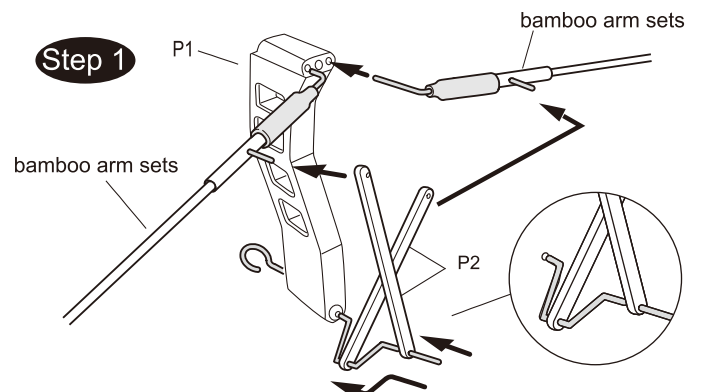


Cut the small parts off from the small parts unit (with scissor)

Cut Safe

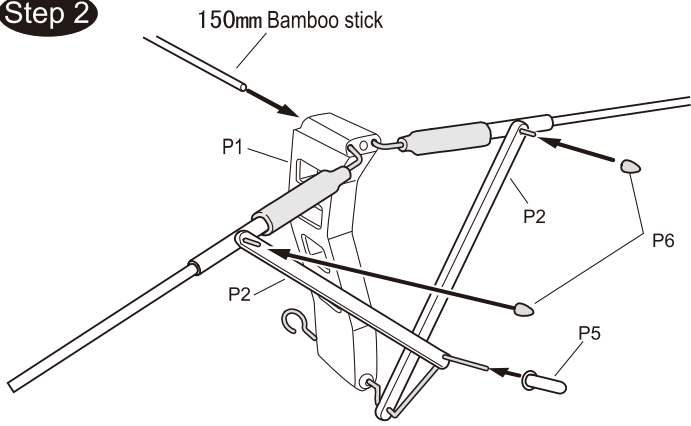
### 2 Assemble The Crank Unit

Step 1



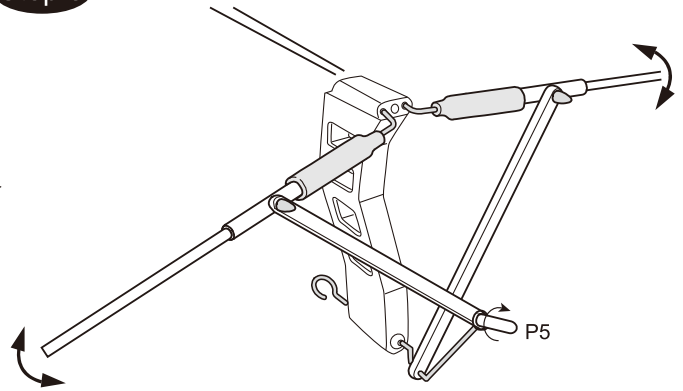
Install the 2 bamboo arm sets onto "P1" and install "P2" into the steel wire . Do position the "P2" into right location on the steel wire . Then put the other end of "P2" into the bamboo arm set steel wires.

## Step 2



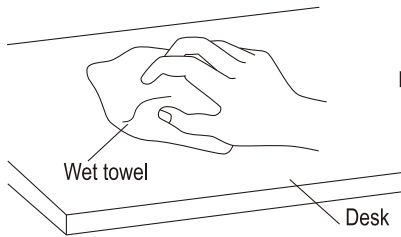
Cap and lock "P2" with 2 "P6" ; Lock the other end of "P2" by pushing "P5" into the crank steel . Insert the 150mm bamboo stick into the hole on the other side of "P1" (sand the tip if needed )

## Step 3

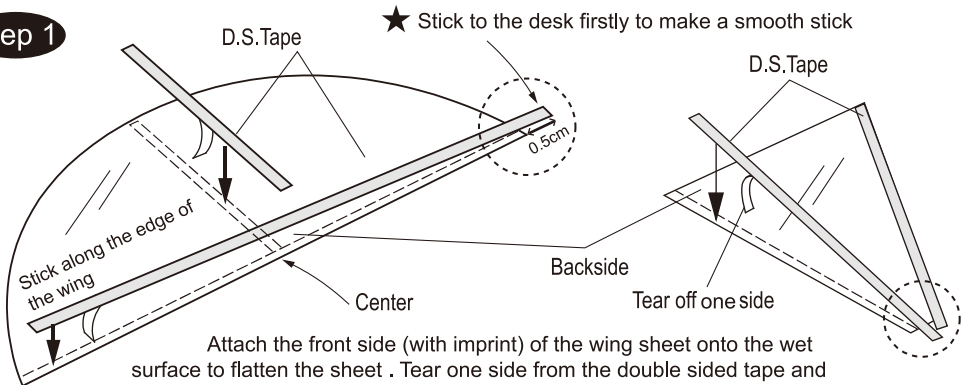


Wind "P5" to see if the bamboo arm sets can move up and down both freely and symmetrically . (if not you may misput the position of "P2")

## 3 Stick The Wing & Tail Step 1

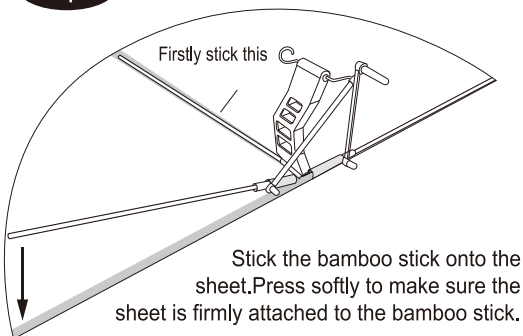


Find a flat desk and slightly wet wipe the surface with a towel

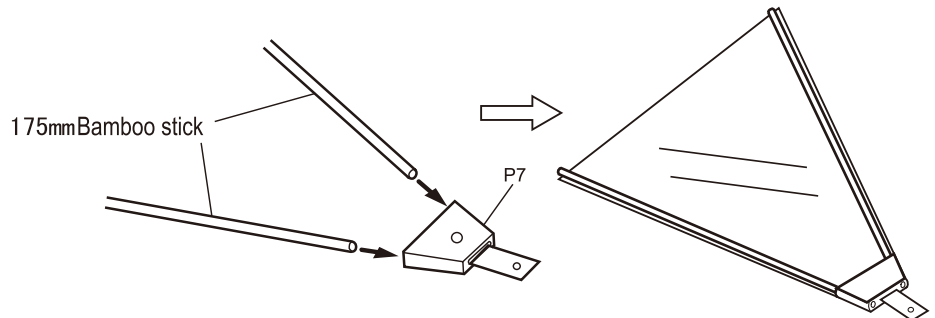


Attach the front side (with imprint) of the wing sheet onto the wet surface to flatten the sheet . Tear one side from the double sided tape and firstly stick from the spot on desk 0.5cm away from the end of wing and stick straight along the edge of the backside of the wing sheet . (the tail sticking is the same way)

## Step 2

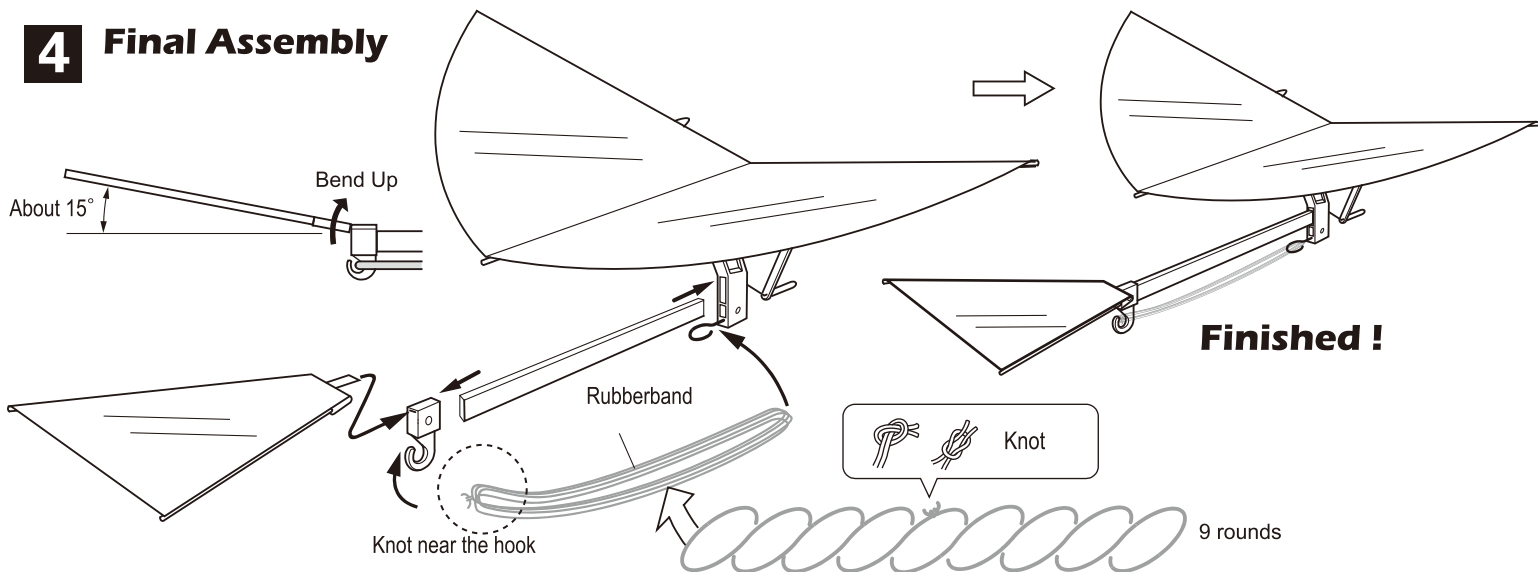


Stick the bamboo stick onto the sheet.Press softly to make sure the sheet is firmly attached to the bamboo stick.



Insert 2 pcs of 175mm bamboo sticks into "P7" (sand the tip if needed ) Stick the bamboo stick onto the tail sheet in the same way .

## 4 Final Assembly



**Finished !**

Insert the wood fuselage into the hole in the "crank unit" ; Then install the "P8" onto the end of the fuselage . Insert the tail into the slot on the "P8" and bend it up around 15 degrees. Knot the rubberband and make it 9 rounds ,then put it onto the hooks

★ Please refer to the reverse side of the card for how to fly the model!